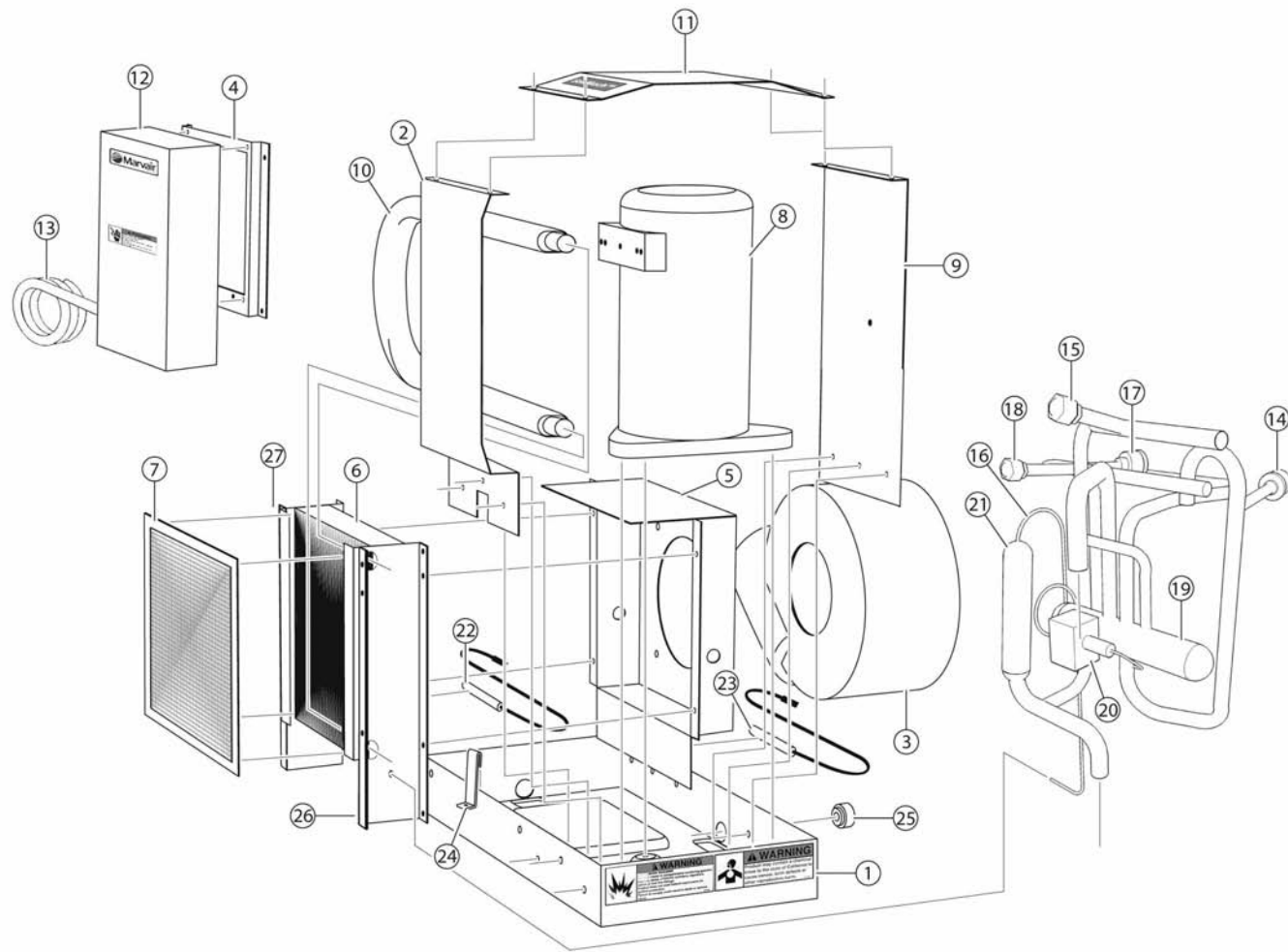


Self Contained Marine Air Conditioner

5,000 BTUH SC*05 and SP*05 units

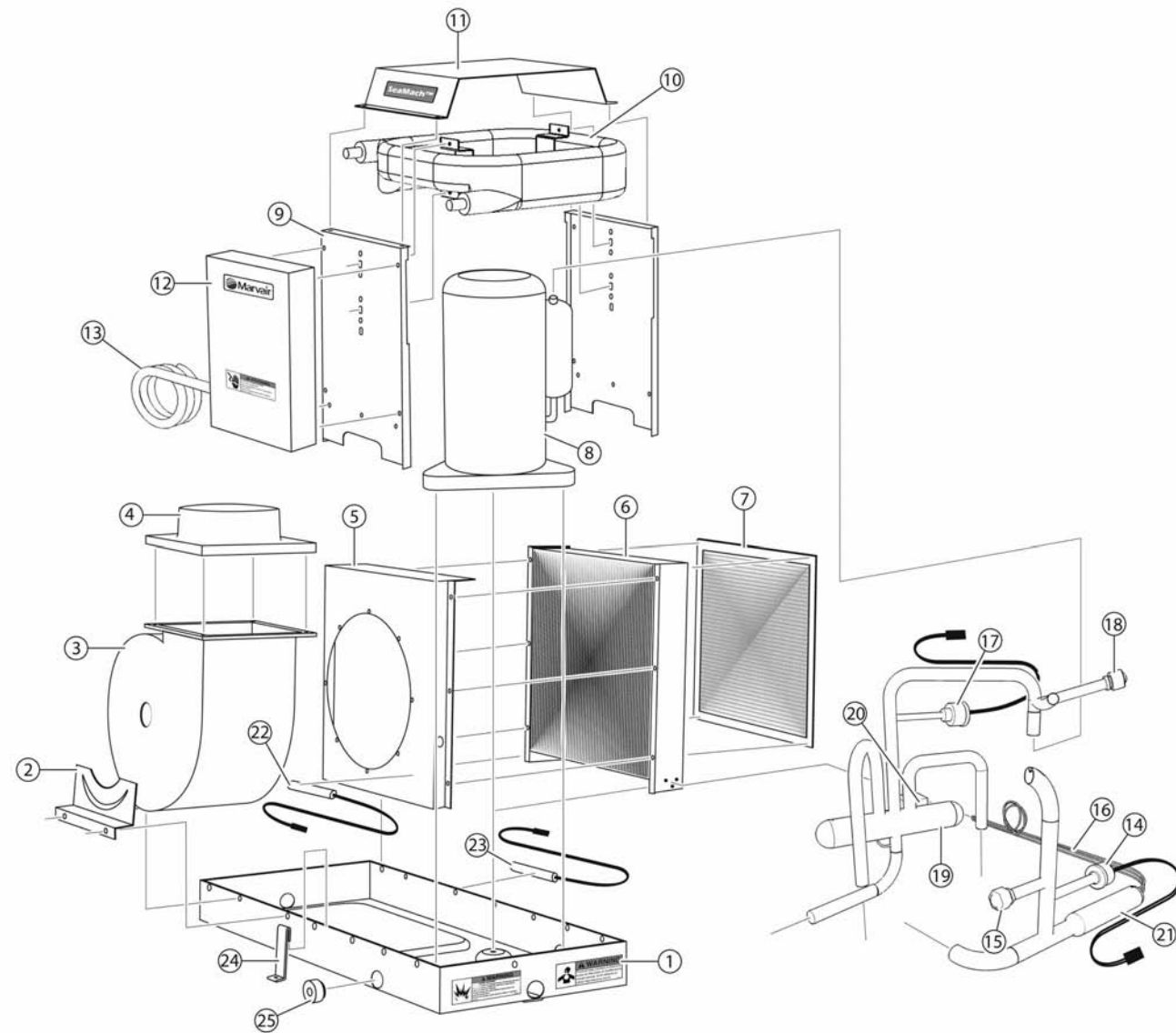


SC*05 and SP*05 Parts List

- 1 Condensate pan**
M/05771SP
- 2 Compressor wrap - right**
M/05775SP
- 3 Motor & Blower Assembly**
115v., 60 Hz. S***RCB
30061
208/230 v. 60 Hz. S***RCA
30062
220 v. 50 Hz. S***RCF
30054
- 4 Control Box mounting bracket**
M/05602SP
- 5 Blower plenum**
M/05772SP
- 6 Indoor coil**
Right hand unit*
60127
Left hand unit*
60127
- 7 Return air filter**
91916
- 8 Compressor**
115v., 60 Hz. SP***RCB (R22 refrigerant)
10257
208/230 v. 60 Hz. SP***RCA (R22 refrigerant)
10297
220 v. 50 Hz. SC***RCF (R407C refrigerant)
10290
115v., 60 Hz. SC***RCB (R407C refrigerant)
10257
- 9 Compressor wrap - left**
M/05773SP
- 10 Heat Exchanger**
60126
- 11 Compressor wrap - top**
M/05834SP
- 12 Electrical box (see photo for components)**
For units with the MicroAir MachAir I controller
M/05601SP
For units with the PowerFirst OLED controller
M/05663SP
For units with the non-programmable controller
M/05854SP
- 13 Wiring Harness**
Five ft. wiring harness for SPB (R22) units with the MachAir I MicroAir board
01536
Five ft. wiring harness for SPB (R22) units with the PowerFirst board
01526
Five ft. wiring harness for SCB (R407c) units with the MachAir I MicroAir board
01581
Five ft. wiring harness for SCB (R407c) units with the PowerFirst board
01582
- 14 High refrigerant pressure switch**
70080
- 15 High pressure access port cap**
01532
- 16 Capillary tubes**
81224
- 17 Low refrigerant pressure switch**
70047
- 18 Low pressure access port cap**
01532
- 19 Reversing Valve**
20279A
- 20 Reversing Valve coil**
50232A
- 21 Strainer**
20276
- 22 Defrost sensor for SCB & SPB units with the PowerFirst board (mounted on inside of coil (#6))**
70331
- 23 Temperature sensor for SCB & SPB units with the MachAir I MicroAir controller (mounted on the condensate pan (#1))**
70347
- 24 Hold down clamps**
M/05683SP
- 25 Condensate plugs**
01345
- 26 Filter channel right**
M/05847SP
- 27 Filter channel left**
M/05848SP

Self Contained Marine Air Conditioner

7,000 BTUH, 10,000 BTUH, 12,000 BTUH, 16,000 BTUH, 18,000 BTUH units
 SC*07, SC*10, SC*12, SC*16, SC*18 and SP*07, SP*10, SP*12, SP*16, SP*18



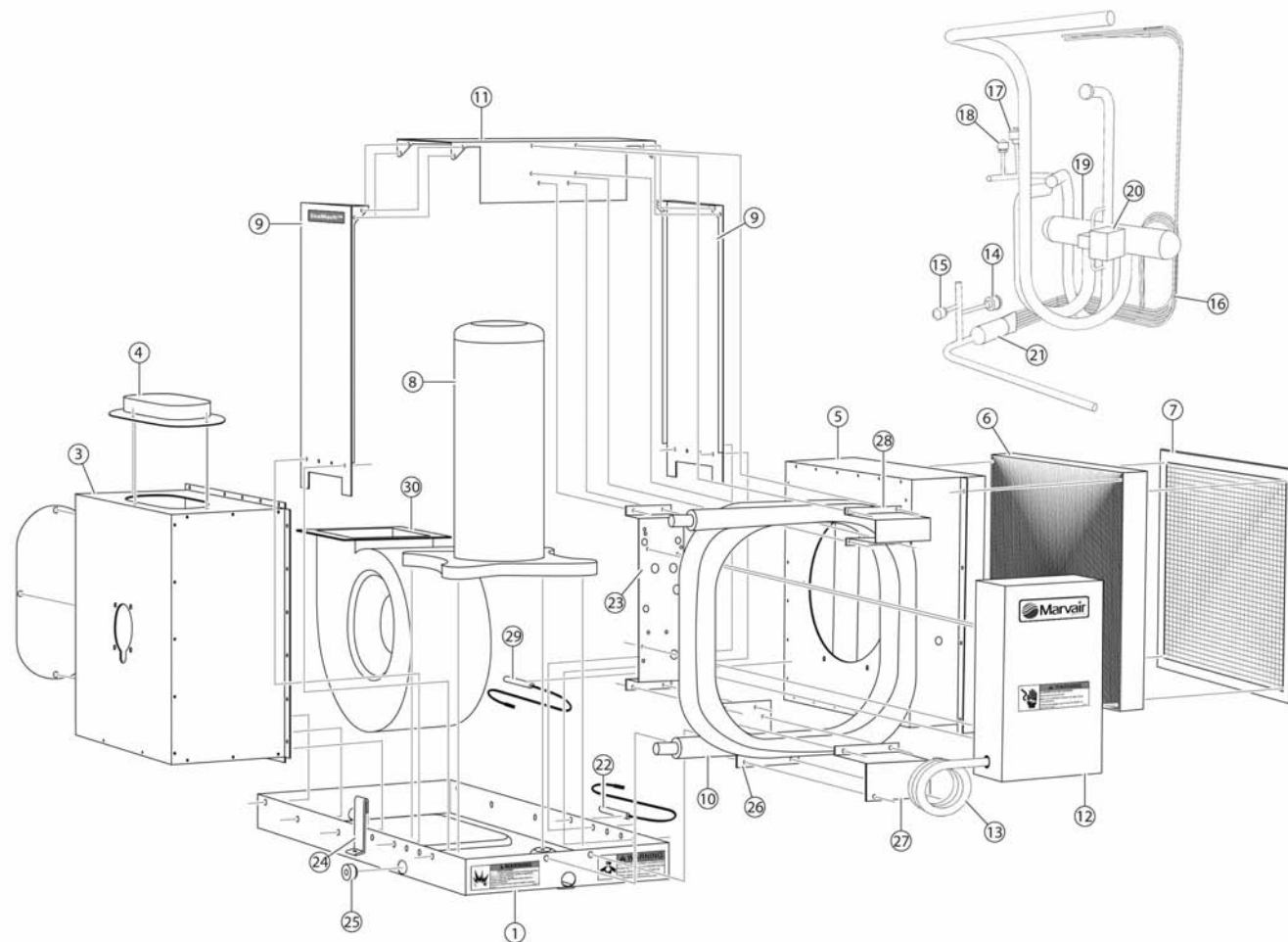
Models SC*07-18 & SP*07-18

1 Condensate pan 60 Hz. units Model 07 M/04974SP Model 10 M/04975SP Model 12 M/04975SP Model 16 M/04975SP Model 18 M/04975SP	12 Electrical box (see photo for components) For units using the MicroAir MachAir I t-stat. Model 07 M/05601SP Model 10 M/05601SP Model 12 M/05601SP Model 16 M/05601SP Model 18 M/05601SP
50 Hz. Units Model 07 M/05614SP Model 10 M/04975SP Model 12 M/04975SP Model 16 M/04975SP Model 18 M/04975SP	For units using the PowerFirst OLED thermostat Model 07 M/05663SP Model 10 M/05663SP Model 12 M/05663SP Model 16 M/05663SP Model 18 M/05663SP
2 Blower Bracket Model 07 M/05066SP Model 10 M/05067SP Model 12 M/05067SP Model 16 M/05067SP Model 18 M/05067SP	For units using the non-programmable t-stat. Model 07 M/05854SP Model 10 M/05854SP Model 12 M/05854SP Model 16 M/05854SP Model 18 M/05854SP
3 Motor & Blower Assembly 115v., 60 Hz. S****RCB Model 07 30053 Model 10 30049 Model 12 30049 Model 16 30052 Model 18 30056	13 Wiring Harness Five ft. wiring harness for SPB (R22) units with the MachAir I MicroAir board Model 07 01536 Model 10 01536 Model 12 01536 Model 16 01536 Model 18 01536
208/230 v. 60 Hz. S****RCA Model 07 30054 Model 10 30048 Model 12 30048 Model 16 30051 Model 18 30057	Five ft. wiring harness for SPB (R22) units with the PowerFirst board Model 07 01526 Model 10 01526 Model 12 01526 Model 16 01526 Model 18 01526
220 v. 50 Hz. S****RCF Model 07 30054 Model 10 30048 Model 12 30048 Model 16 30061 Model 18 N/A	Five ft. wiring harness for SCB (R407c) units with the MachAir I MicroAir board Model 07 01581 Model 10 01581 Model 12 01581 Model 16 01581 Model 18 01581
4 Hose Adapter Model 07 90134 Model 10 90135 Model 12 90135 Model 16 90136 Model 18 90136	Five ft. wiring harness for SCB (R407c) units with the PowerFirst board Model 07 01582 Model 10 01582 Model 12 01582 Model 16 01582 Model 18 01582
5 Blower plenum Model 07 M/04979SP Model 10 M/04978SP Model 12 M/04978SP Model 16 M/04840SP Model 18 M/04840SP	14 High refrigerant pressure switch Model 07 70080 Model 10 70080 Model 12 70080 Model 16 70080 Model 18 70080
6 Indoor coil Right hand unit* Model 07 60087 Model 10 60088 Model 12 60089 Model 16 60090 Model 18 60090	15 High pressure access port cap Model 07 01532 Model 10 01532 Model 12 01532 Model 16 01532 Model 18 01532
Left hand unit* Model 07 60119 Model 10 60121 Model 12 60122 Model 16 60123 Model 18 60123	16 Capillary tubes Model 07 81032 Model 10 81224 Model 12 81032 Model 16 81224 Model 18 80950
7 Return air filter Model 07 81291 Model 10 81289 Model 12 81289 Model 16 81288 Model 18 81288	17 Low refrigerant pressure switch Model 07 70047 Model 10 70047 Model 12 70047 Model 16 70047 Model 18 70047
8 Compressor 115v., 60 Hz. SP***RCB (R22 refrigerant) Model 07 10012 Model 10 10067 Model 12 10229 Model 16 10256 Model 18 10371	18 Low pressure access port cap Model 07 01532 Model 10 01532 Model 12 01532 Model 16 01532 Model 18 01532
208/230 v. 60 Hz. SP***RCA (R22 refrigerant) Model 07 51450 Model 10 10081 Model 12 10082 Model 16 10228 Model 18 10373	19 Reversing Valve Model 07 20279A Model 10 20280A Model 12 20280A Model 16 20280A Model 18 20280A
220 v. 50 Hz. SC***RCF (R407C refrigerant) Model 07 10245 Model 10 10246 Model 12 10243 Model 16 10244 Model 18 N/A	20 Reversing Valve coil Model 07 50232A Model 10 50232A Model 12 50232A Model 16 50232A Model 18 50232A
115v., 60 Hz. SC***RCB (R407C refrigerant) Model 07 10247 Model 10 10250 Model 12 10248 Model 16 10249 Model 18 N/A	21 Strainer Model 07 70353 Model 10 70353 Model 12 70353 Model 16 70353 Model 18 70353
9 Heat Exchanger mounting bracket Model 07 M/05603SP Model 10 M/05603SP Model 12 M/05603SP Model 16 M/05603SP Model 18 M/05603SP	22 Defrost sensor for SCB & SPB units with the PowerFirst board (mounted on inside of coil (#6)) Model 07 70331 Model 10 70331 Model 12 70331 Model 16 70331 Model 18 70331
10 Heat Exchanger Model 07 60091 Model 10 60092 Model 12 60092 Model 16 60092 Model 18 60092	23 Temperature sensor for SCB & SPB units with the MachAir I MicroAir controller (mounted on the condensate pan (#1)) Model 07 70347 Model 10 70347 Model 12 70347 Model 16 70347 Model 18 70347
11 Heat Exchanger cover plate R-22 units Models SP Model 07 M/05674SP Model 10 M/05674SP Model 12 M/05674SP Model 16 M/05674SP Model 18 M/05674SP	24 Hold down clamps Model 07 M/05683SP Model 10 M/05683SP Model 12 M/05683SP Model 16 M/05683SP Model 18 M/05683SP
R-407c units models SC Model 07 M/05675SP Model 10 M/05675SP Model 12 M/05675SP Model 16 M/05675SP Model 18 M/05675SP	25 Condensate plugs Model 07 01345 Model 10 01345 Model 12 01345 Model 16 01345 Model 18 01345

* When looking at the compressor end of a unit, if the coil is on your right, the unit is a right hand unit. If the coil is on your left, it is a left hand unit. The illustration is of a right hand unit.

Self Contained Marine Air Conditioner

24,000 BTUH, models SC*24 and SP*24



SC*24, SP*24 and SA*24

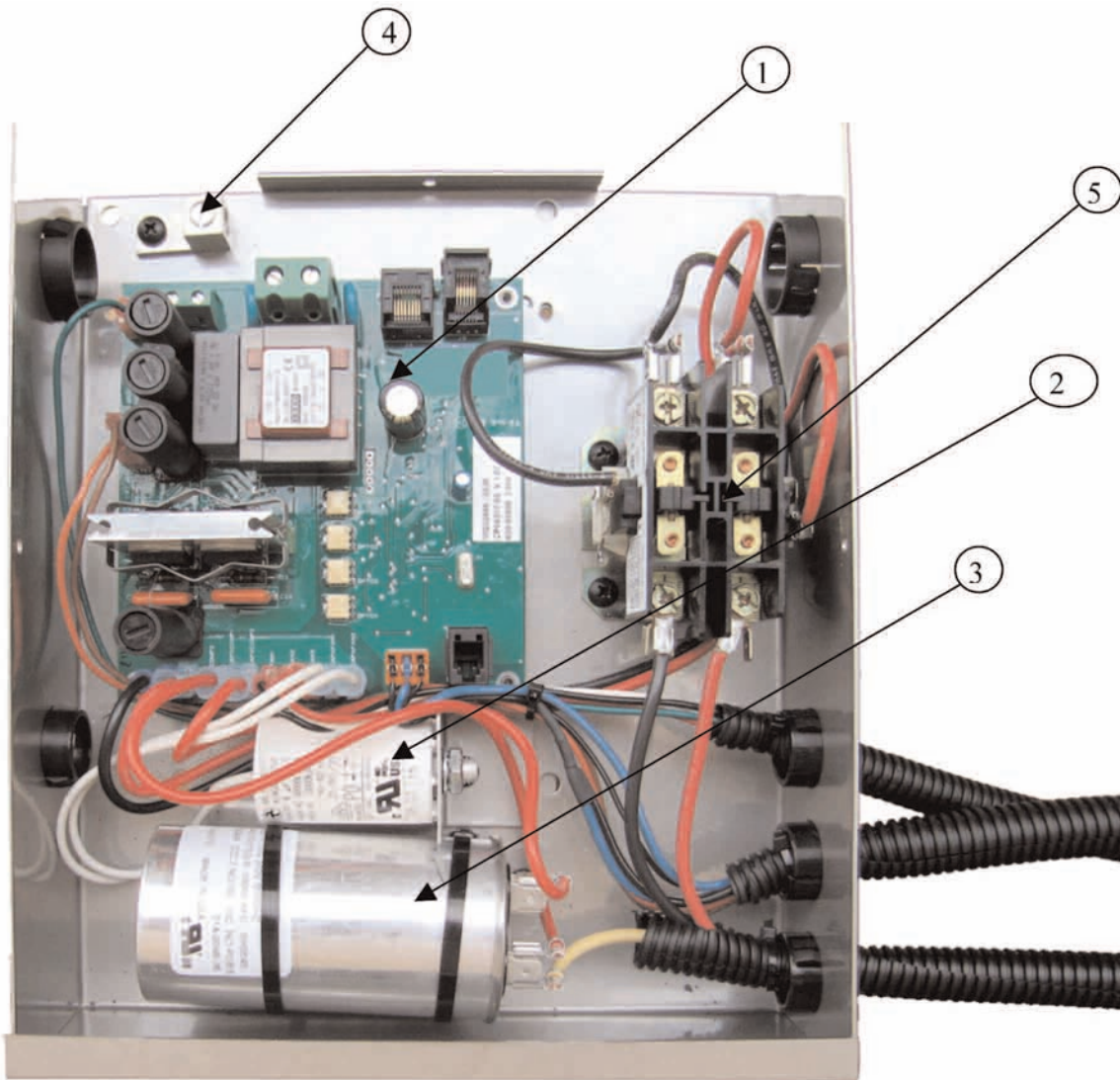
- | | |
|---|--|
| <p>1 Condensate pan
M/05771SP</p> <p>3 Blower Box
M/05769</p> <p>4 Hose Adapter
91568</p> <p>5 Blower plenum
M/05772SP</p> <p>6 Indoor coil
Right hand unit*
60118
Left hand unit*
60124</p> <p>7 Return air filter
91922</p> <p>8 Compressor
208/230 v. 60 Hz. SP***RCA (R22 refrigerant)
10223
208/230 v. 60 Hz. SA***RCA (R410A refrigerant)
10333
220 v. 50 Hz. SC***RCF (R407C refrigerant)
10292
220 v. 50 Hz. SA***RCF (R410A refrigerant)
10376</p> <p>9 Compressor Wrap (left and right)
M/05765SP</p> <p>10 Heat Exchanger
60117(R) 60139(L)</p> <p>11 Compressor cover plate
M/05767SP</p> <p>12 Electrical box (see photo for components)
Units with the MicroAir Mach I thermostat
M/05601SP
Units with the PowerFirst OLED thermostat
M/05663SP
Units with the non-programmable thermostat
M/05854SP</p> <p>13 Wiring Harness
Five ft. wiring harness for SPB (R22) units with the MachAir I MicroAir board
01536
Five ft. wiring harness for SPB (R22) units with the PowerFirst board
01526
Five ft. wiring harness for SCB (R407c) units with the MachAir I MicroAir board
01581
Five ft. wiring harness for SCB (R407c) units with the PowerFirst board
01582
Five ft. wiring harness for SAB (R410A) units with the Microair board
(Includes high & low pressure switches)
01640</p> | <p>14 High refrigerant pressure switch
70080</p> <p>15 High pressure access port cap
01532</p> <p>16 Capillary tubes
81032</p> <p>17 Low refrigerant pressure switch
70047</p> <p>18 Low pressure access port cap
01532</p> <p>19 Reversing Valve
20220A</p> <p>20 Reversing Valve coil
50232A</p> <p>21 Strainer
20333</p> <p>22 Defrost sensor for SCB & SPB units with the PowerFirst board
(mounted on inside of coil (#6))
70331</p> <p>23 Control box mounting bracket
M/05830SP</p> <p>24 Hold down clamps
M/05683SP</p> <p>25 Condensate plugs
01345</p> <p>26 Cradle for lower clamp for heat exchanger
M/06433SP</p> <p>27 Heat Exchanger lower clamp
M/06432SP</p> <p>28 Heat Exchanger upper clamp
M/05768SP</p> <p>29 Temperature sensor for SCB & SPB units with the MachAir I MicroAir controller
(mounted on the condensate pan (#1))
70347</p> <p>30 Motor & Blower Assembly
208/230 v. 60 Hz. S***RCA
30059
220 v. 50 Hz. S***RCF
30059</p> |
|---|--|

*When facing the compressor end of the unit, right hand units will have the indoor coil on the right side and left hand units will have the coil on the left side. The unit in the illustration is a right hand unit.

SeaMach™

Electrical Box S*B24

with the PowerFirst OLED board



No.	Description	Part #
1	Control Boards for S*B models MachAir OLED (PowerFirst)	80506
2	Blower motor capacitors 208/230 v. 60 Hz. S****RCA 220 v. 50 Hz. S****RCF	50302 50302
3	Compressor Capacitors 208/230 v. 60 Hz. SP****RCA (R22 refrigerant) 220 v. 50 Hz. SC****RCF (R407C refrigerant)	50280 50321
4	Ground/Earth lug	80271
5	Compressor contactors MachAir OLED (PowerFirst)	50188